

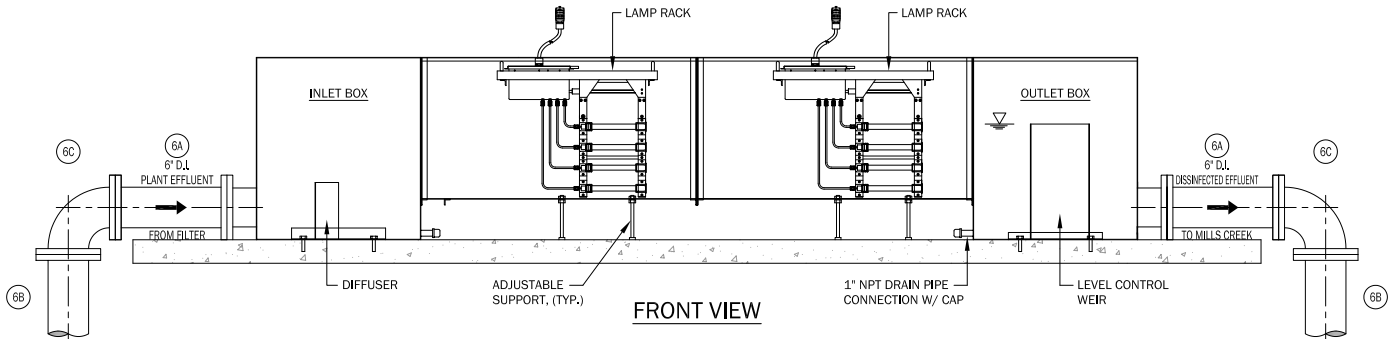
PLAN VIEW

LEGEND

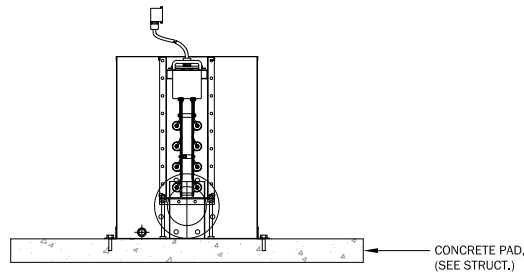
- 6A 6" D.I. FL. SPOOL PIECE
- 6B 6" D.I. FL. x P.E. SPOOL PIECE
- 6C 6" D.I. FL. 90° BEND

NOTES:

1. CONCRETE PAD MUST BE LEVEL THROUGHOUT CHANNEL LENGTH.
2. HARDWARE AND EMBEDMENT DEPTHS USED TO SECURE EQUIPMENT TO CONCRETE PAD TO BE AS REQUIRED BY EQUIPMENT MANUFACTURER.



FRONT VIEW



SIDE VIEW

UV DETAILS

SCALE: 3/4" = 1'-0"