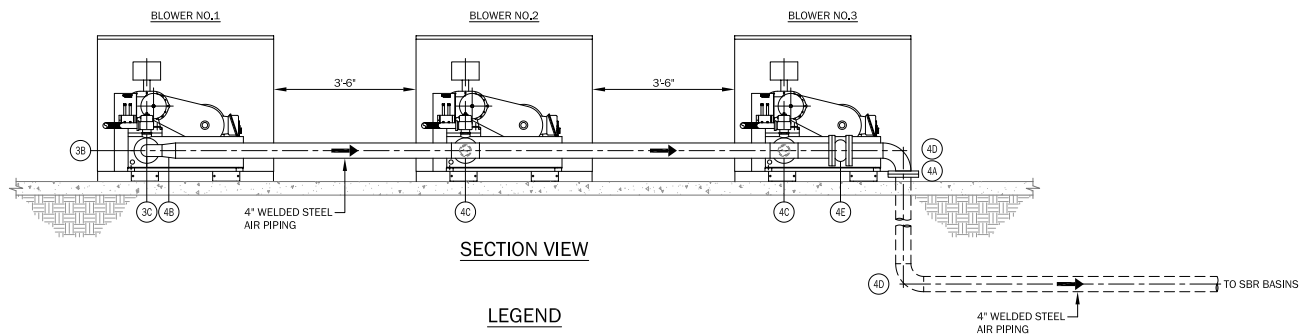


PLAN VIEW



SECTION VIEW

LEGEND

- |                                     |   |                                    |                               |
|-------------------------------------|---|------------------------------------|-------------------------------|
| (3A) 2"x7 1/2" D.J. THREADED FLANGE | (3D) 3" D.I. LUGGED WAFER STYLE CHECK VALVE | (3F) 3" FLEX COUPLING              | (4C) 4"x3" WELDED STEEL TEE   |
| (3B) 3" D.I. WELDED FLANGE          | (3E) 3" D.I. WAFER STYLE BUTTERFLY VALVE    | (4A) 4" D.J. WELDED FLANGE         | (4D) 4" WELDED STEEL 90° BEND |
| (3C) 3" WELDED STEEL 90° BEND       | (4B) 4"x3" WELDED STEEL REDUCER             | (4E) 4" D.I. FL. AIR CONTROL VALVE |                               |

BLOWER PIPING DETAILS

SCALE: 1/2" = 1'-0"