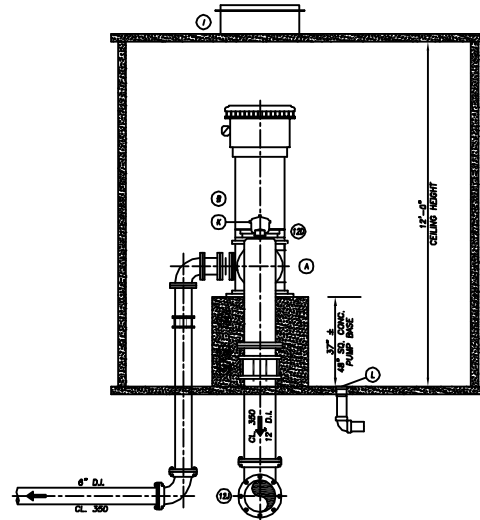


**ELEVATION/SECTION A-A**  
SCALE: 1/2" = 1'-0"

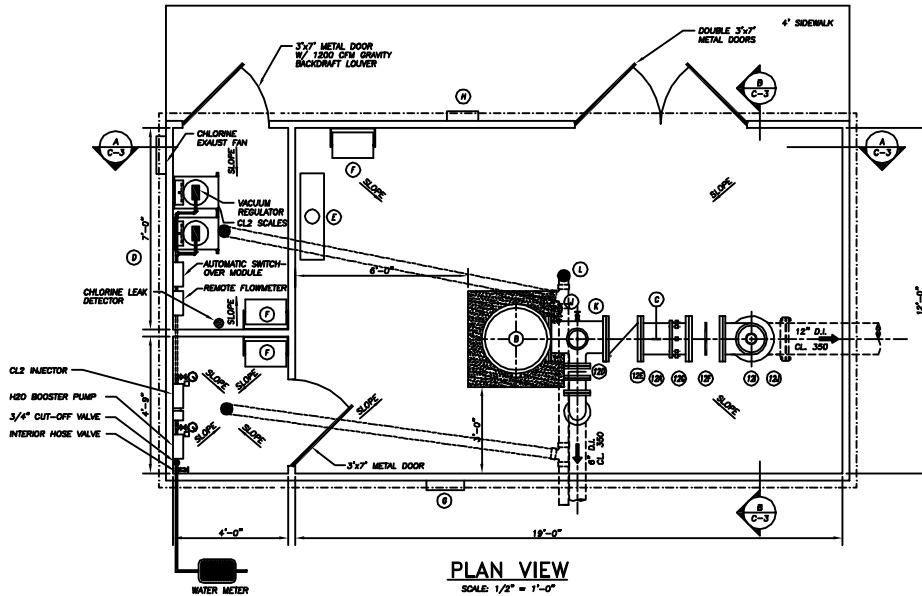


**ELEVATION/SECTION B-B**  
SCALE: 1/2" = 1'-0"

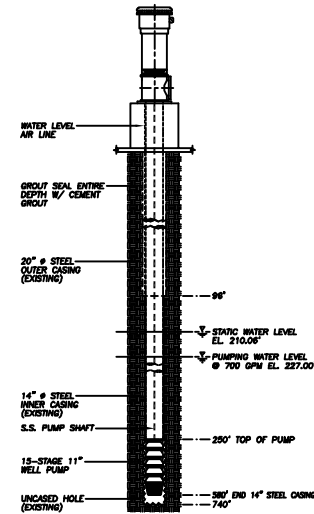
- LEGEND**
- (M) 12" D.I. FL. x P.E. SPOOL PIECE
  - (N) 12" D.I. FL. 90° BEND
  - (O) 12"x12" D.I. FL. TEE
  - (P) 12" D.I. FL. WAFFER STYLE BUTTERFLY VALVE
  - (Q) 12" D.I. FL. GLOBE CHECK VALVE
  - (R) 12" D.I. FL. GATE VALVE
  - (S) 12" D.I. FL. COUPLING ADAPTER
  - (T) 12" D.I. DRESSER COUPLING
  - (U) 12" D.I. FL. RIGHT ANGLE FLOW METER
  - (V) 12" D.I. M.A. 90° BEND
  - (W) VERTICAL TURBINE PUMP
  - (X) ELECTRIC PUMP MOTOR
  - (Y) PRESSURE GAUGE
  - (Z) PRE-CAST CONCRETE BUILDING
  - (A) CONTROL PANEL
  - (B) WALL OR ROOF MOUNT HEATER
  - (C) EXHAUST FAN
  - (D) DOWNED INTAKE VENT
  - (E) ROOF HATCH
  - (F) SAMPLE COCK
  - (G) AIR RELEASE VALVE
  - (H) FLOOR DRAIN (DRAIN TO DAYLIGHT)

**NOTES**

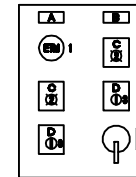
- 12" D.I. FL. WAFFER BUTTERFLY VALVE TO BE EQUIPPED WITH AN ELECTRIC ACTUATOR WITH TIME DELAY RELAY IN CONTROL PANEL.
- PUMP BASE TO BE EQUIPPED WITH A 1 1/2" TO 2" Ø HOLE FOR PERMANENT LEVEL MEASURING.
- PUMP BASE TO BE EQUIPPED WITH A 1 1/2" TO 2" Ø HOLE FOR USE AS A SECONDARY ACCESS TO WELL CASING.
- PIPE SUPPORTS NOT SHOWN FOR CLARITY. SEE DETAIL.
- PUMP PACKING DRAIN SHALL HAVE RIGID DRAIN PIPING TO NEAREST FLOOR DRAIN.
- ALL PIPING UNDER CONCRETE SLAB SHALL BE RESTRAINED WITH METALLIC OR EQUAL. PROVIDE PRESSURE FITTINGS AS NOTED.
- ALL PIPING UNDER CONCRETE SLAB SHALL BE PRESSURE TESTED BEFORE SLAB IS POURED.
- ALL DUCTILE IRON PIPING SHALL BE PRESSURE TESTED AT 300 P.S.I.



**PLAN VIEW**  
SCALE: 1/2" = 1'-0"



**WELL CASING DETAIL**  
NO SCALE



SCHEDULE		
ITEM/I.D.	QTY.	DESCRIPTION
A	1	NAMEPLATE - "WELL PUMP"
B	1	NAMEPLATE - "CHLORINE/BOOSTER PUMP"
C	2	NAMEPLATE - "RUN"
D	2	NAMEPLATE - "HAND OFF AUTO"
F	1	ELAPSED TIME METER
G	2	GREEN PILOT LIGHT
H	2	SELECTOR SWITCH

**CONTROL NOTES:**

1. WELL PUMP CONTROL CIRCUIT SHALL INCLUDE RELAY FOR PRE-LUBRICATION PRIOR TO PUMP START.

**PUMP CONTROL PANEL**  
NO SCALE