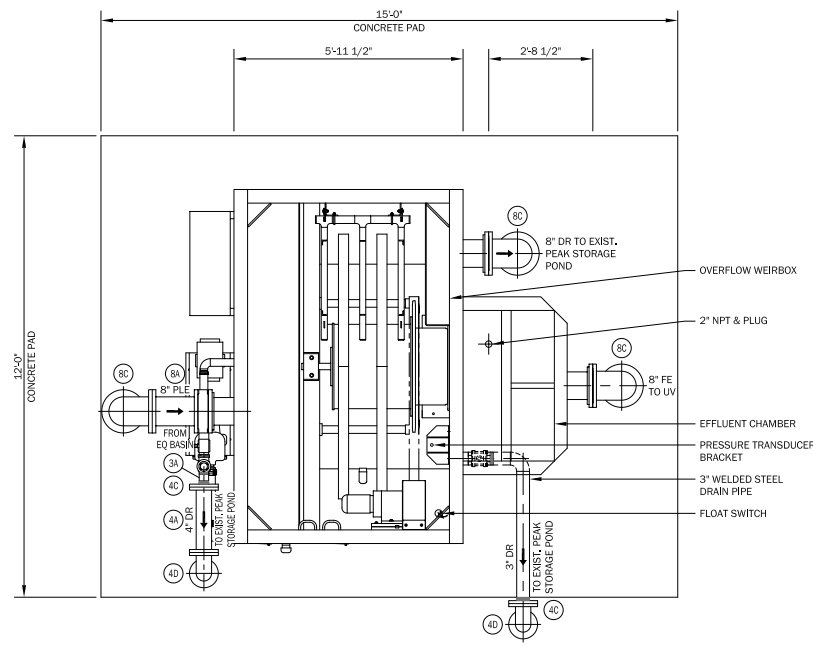


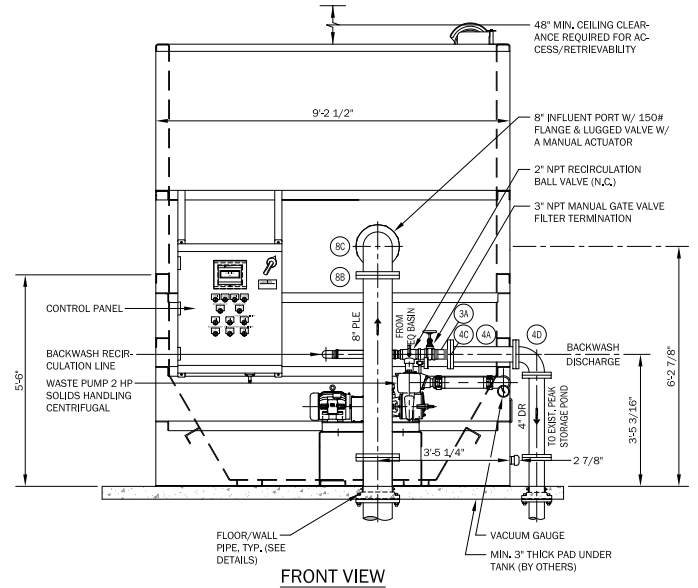
RIGHT SIDE VIEW



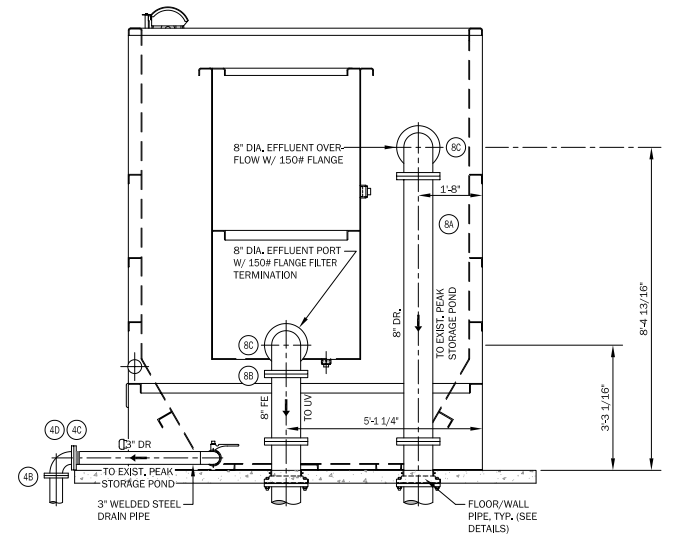
PLAN VIEW

LEGEND

- (3A) 3" THREADED STEEL SPOOL PIECE
- (4A) 4" D.I. FL. x FL. SPOOL PIECE
- (4B) 4" D.I. FLANGE
- (4C) 3" x 9" D.I. THREADED FLANGE
- (4D) 4" D.I. FL. 90° BEND
- (4E) 4" D.I. FL. BALL VALVE
- (4F) 4" x 3" D.I. FL. REDUCER
- (8A) 6" D.I. FLANGE
- (8B) 6" D.I. FL. 90° BEND
- (8A) 8" D.I. FL. x FL. SPOOL PIECE
- (8B) 8" D.I. FLANGE
- (8C) 8" D.I. FL. 90° BEND
- (8D) 8"x6" D.I. FL. REDUCER
- (8E) 8" D.I. FL. BUTTERFLY VALVE



FRONT VIEW



REAR VIEW

FILTER DETAILS

SCALE: 1/2" = 1'-0"